



NEWEX
Experience New

NEWEX INTERNATIONAL CO., LTD

PHILEXI is a trademark of NEWEX INTERNATIONAL CO., LTD

Hongkong Office Address:

FLAT/RM 02, 7/F, SPA CENTRE,
NO.53-55 LOCKHART ROAD,
WAN CHAI, HONG KONG

Sourcing Manager/ Sales Manager: Mr. Justin

Whatsapp/Mobile/Wechat: +8613928822021

Skype ID: liangshizong

Email: justin@philexi.com, justin.liang@newexintl.com

Guangzhou Office Address:

Room 505, BLDG A, Hengda Business
Center, 3rd Bigui Road, Luopu Street,
Panyu District, Guangzhou, China

公司简介

松下·万宝(广州)压缩机有限公司(PWAPCGZ)成立于1993年6月8日,于1995年1月1日正式投产,投资比例为:松下电器69%,万宝集团31%,注册资金11,384万美元,占地面积约252,000平方米,从业人员约5,000人。



公司主要研发和制造旋转式压缩机。产品应用于房间空调器、干衣机、除湿机及热泵热水器、基站、采暖、车载等领域,压缩机年生产能力1100万台。

作为松下压缩机集团主要生产基地,本公司采用松下公司的设备、技术和管理,并按相同的品质规格进行严格的质量管理,所生产的压缩机产品质量达到当今国际先进水平,获得国内外用户的高度评价和信赖。

Panasonic Wanbao Appliances Compressor (Guangzhou) Co., Ltd. (called PWAPCGZ) was founded on June 8, 1993, went into operation on January 1, 1995, with the registered funds of 113,840,000 USD in which the Panasonic Corporation accounts for 69%, Wanbao Group accounts for 31%, with the area of 252,000 m² and the staff of about 5,000.

PWAPCGZ is the main R & D and factory of rotary compressor. Products are used in room air conditioners, dryers, dehumidifiers, and heat pump water heaters for base station, heating, vehicle, etc. with annual production capacity of 11.0 million units.

As the main production base of Panasonic Compressor Group, PWAPCGZ inherits from Panasonic Japan the same standard for equipment, technology, management and quality control. Since the quality of the products has reached the international advanced level, PWAPCGZ has won a good reputation and reliance from both domestic and overseas clients.

ISO45001:2018

职业健康安全管理体系认证



ISO14001:2015

环境管理体系认证



ISO/IEC 27001:2013

信息安全管理体系认证



ISO/IEC 17025:2017

实验室认可证书



ISO9001:2015

质量管理体系认证

BRIEF INTRODUCTION



DEVELOPING PROGRESS

事业发展历史

- 2018**
 - 微型压缩机开始生产**
Minisize compressor went to production
 - 商用 7HP-12HP 压缩机开始生产**
7HP-12HP compressor for commercial air-conditioner went to production
- 2017**
 - EVI 压缩机开始生产**
EVI Compressor went to production
 - 车载压缩机开始生产**
Compressor for vehicle went to production
- 2014**
 - 基站专用压缩机开始生产**
Specific compressor for the base station went to production
- 2012**
 - 第 1 亿台压缩机生产达成**
100 millionth compressor was produced
 - R32 系列开始生产**
R32 series went to production
- 2010**
 - SC 系列开始生产**
SC series went to production
 - CO₂ 系列开始生产**
CO₂ series went to production
- 2006**
 - S 系列开始生产**
S series went to production
 - T 系列开始生产**
T series went to production
 - 除湿机、干衣机用压缩机开始生产**
compressor for Dehumidifier & dryer went to production
- 2004**
 - R410A 系列开始生产**
R410A series went to roduction
- 2003**
 - 热泵热水器压缩机销售开始**
Compressor for heat pump water heater started to be sold
 - R407C 系列开始生产**
R407C series went to production
 - V2P 系列开始生产**
V2P series went to production
- 2000**
 - V 系列开始生产**
V series went to production
 - HK 系列开始生产**
HK series went to production
 - R、RDC 系列开始生产**
R、RDC series went to production
- 1993**
 - 公司成立**
Company foundation
 - P、K 系列开始生产**
P、K series went to production

Content

目录



- 19 **除湿机用压缩机**
COMPRESSOR FOR DEHUMIDIFIER
- 22 **热泵热水器用压缩机**
COMPRESSOR FOR HPWH
- 24 **泳池热泵用压缩机**
COMPRESSOR FOR SWIMMING POOL HPWH
- 25 **热泵采暖用压缩机**
COMPRESSOR FOR HEATING

- 01 **公司简介**
BRIEF INTRODUCTION
- 03 **发展历程**
DEVELOPING PROGRESS
- 05 **全球市场明星产品介绍**
STAR PRODUCTS INTRODUCTION FOR GLOBAL MARKET
- 07 **压缩机命名规则**
NAMING RULE OF COMPRESSOR
- 09 **压缩机产品阵容**
PRODUCT LINEUP OF COMPRESSOR
- 11 **R32压缩机**
R32 COMPRESSOR
- 14 **R410A压缩机**
R410A COMPRESSOR
- 18 **R407C压缩机 中东向T3压缩机**
R407C COMPRESSOR MIDDLE EAST T3 COMPRESSOR
- 19 **除湿机用压缩机**
COMPRESSOR FOR DEHUMIDIFIER
- 22 **热泵热水器用压缩机**
COMPRESSOR FOR HPWH
- 24 **泳池热泵用压缩机**
COMPRESSOR FOR SWIMMING POOL HPWH
- 25 **热泵采暖用压缩机**
COMPRESSOR FOR HEATING
- 26 **干衣机用压缩机**
COMPRESSOR FOR DRYER
- 27 **新风系统/厨房空调用压缩机**
FRESH AIR PURIFIER/AIR-CONDITIONER FOR KITCHEN
- 28 **微型压缩机**
MINISIZE COMPRESSOR
- 29 **基站用压缩机**
COMPRESSOR FOR BASE STATION
- 29 **设备用压缩机**
COMPRESSOR FOR EQUIPMENT
- 30 **车载用压缩机**
HORIZONTAL COMPRESSOR FOR VEHICLE
- 31 **标准尺寸示意图**
NORMAL DIMENSION SKETCH
- 33 **压缩机常用试验条件及附件**
STANDARD ACCESSORIES OF COMPRESSOR & COMMON TEST CONDITIONS

★ 直流变频压缩机 DC INVERTER COMPRESSOR



- 产品特点 Product Feature**
1. 高效泵体 1. High-efficiency pump
 2. 低噪音设计 2. Low-noise design
 3. 高可靠性设计 3. High-reliability design
 4. 业界最小体积 4. Smallest size in the compressor industry

系列 Series	泵体构造 Pump structure	压缩机能力范围 Compressor capacity range											
		1.0kW	2.5kW	3.5kW	5.0kW	7.5kW	10.0kW	12.5kW	30.0kW				
SDC	单转子 1 piston	█											
RDC	单转子 1 piston		█										
	双转子 2 pistons			█									
KDC/VDC	双转子 2 pistons				█								
SC	单转子 1 piston	█											

★ 干衣机用压缩机 COMPRESSOR FOR DRYER



- 产品特点 Product Feature**
1. 高效泵体 1. High-efficiency pump
 2. 低噪音/低振动 2. Low noise and vibration
 3. 小型化 3. Compact size and light weight
 4. 高可靠性设计 4. High-reliability design

系列 Series	泵体构造 Pump structure	压缩机能力范围 Compressor capacity range							
		0.5kW	1.0kW	1.5kW	2.0kW	2.5kW	3.0kW	3.5kW	4.0kW
T	双转子 2 pistons	█							
S	单转子 1 piston	█							
R	单转子 1 piston		█						

★ 除湿机用压缩机 COMPRESSOR FOR DEHUMIDIFIER



- 产品特点 Product Feature**
1. 业界最小体积 1. Smallest size in the compressor industry
 2. 低噪音/低振动 2. Low noise and vibration
 3. 单、双气缸设计 3. Single and double cylinder design
 4. 全球电源阵容 4. Global power lineup

系列 Series	泵体构造 Pump structure	压缩机能力范围 Compressor capacity range											
		6L	8L	10L	12L	16L	20L	30L	40L	50L			
T	单转子 1 piston	█											
	双转子 2 pistons			█									
S	单转子 1 piston			█									
R	单转子 1 piston						█						

★ 基站用压缩机 COMPRESSOR FOR BASE STATION



- 产品特点 Product Feature**
1. 全球电源设计 1. Global power design
 2. DC48V 电池驱动 2. Dc48v battery-operated
 3. 高可靠性设计 3. High reliability design
 4. 大运转范围 4. Large operating range

系列 Series	电源 Power	压缩机能力范围 Compressor capacity range					
		0.2kW	1.0kW	1.5kW	2.0kW	3.0kW	4.0kW
定速 Fixed speed	50/60Hz dual-purpose	█					
变频 Inverter	DC48V	█					

★ 热泵热水器及采暖用压缩机 COMPRESSOR FOR HEAT PUMP WATER HEATER & HEATING



- 产品特点 Product Feature**
1. 出水温度可高达约90℃ 1. Outlet water temperature up to about 90 °C
 2. 低噪音,低振动 2. Low noise and vibration
 3. 小型化 3. Compact size and light weight
 4. EVI技术 4. EVI Technology

系列 Series	泵体构造 Pump structure	压缩机能力范围 Compressor capacity range							
		1.0kW	2.5kW	3.5kW	5.0kW	7.5kW	10.0kW	20.0kW	30.0kW
高温型热泵热水器用 High-temperature Heat pump water heater	涡旋式 Scroll		█						
普及型热泵热水器用 Universal Heat pump water heater	旋转式 Rotary	█							
低温采暖用 Low temperature heating	旋转式 Rotary			█					

- 产品特点 Product Feature**
1. 高可靠性设计 1. High reliability design
 2. 温度/电流双重独立保护 2. Temperature/current double Independent protection
 3. 全球电源设计 3. Global power design

系列 Series	电源 Power	压缩机能力范围 Compressor capacity range							
		0.5kW	1.0kW	1.5kW	2.0kW	3.0kW	4.0kW	5.0kW	8.0kW
R22	3φ 380V 50Hz	█							
R1234yf	50/60Hz	█							

★ 车载用压缩机 COMPRESSOR FOR VEHICLE



- 产品特点 Product Feature**
1. 卧式结构 1. Horizontal structure
 2. 直流变频 2. Dc inverter
 3. 轻量化设计 3. Light weight design
 4. 低噪音&低振动 4. Low noise & low vibration

系列 Series	电源 Power	压缩机能力范围 Compressor capacity range							
		0.5kW	2.5kW	3.5kW	5.0kW	7.5kW	10.0kW	12.5kW	15.0kW
R134a	DC24V	█							
	DC48V	█							
R410A	DC280-520V	█							

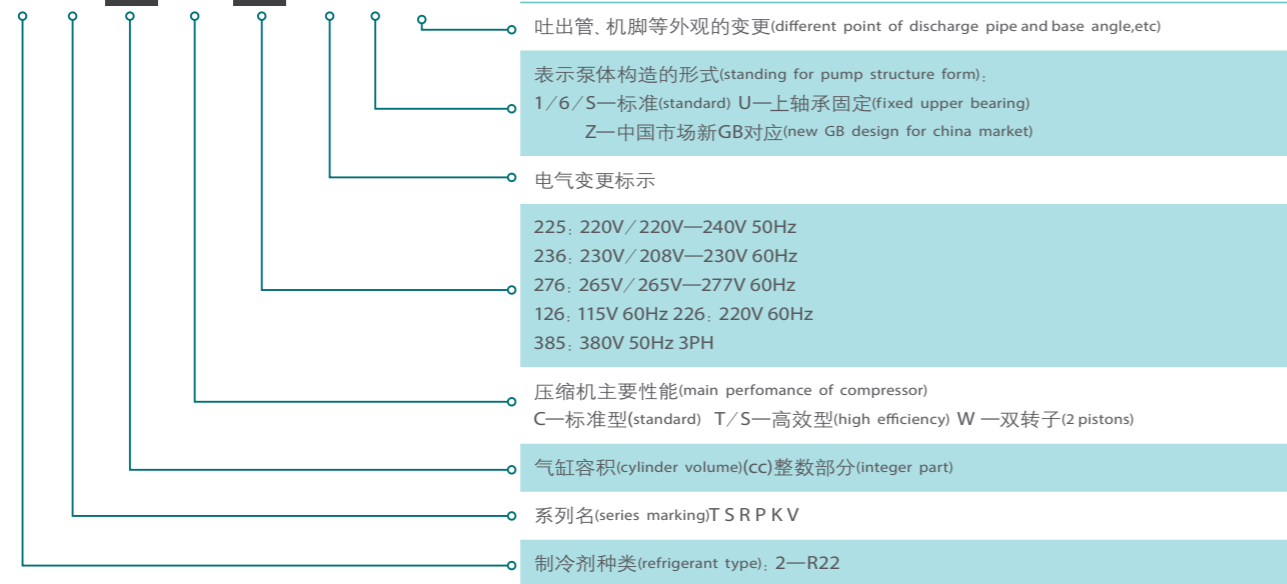
- 产品特点 Product Feature**
1. 环保HFO冷媒 1. Environmental protected HFO refrigerant
 2. 高可靠性设计 2. High reliability design
 3. 高效泵体 3. High-efficiency pump
 4. 大运转范围 4. Large operating range

系列 Series	电源 Power	压缩机能力范围 Compressor capacity range							
		0.5kW	1.0kW	1.5kW	2.0kW	2.5kW	3.0kW	3.5kW	4.0kW
R134a	AC/DC	█							
R1234yf	AC/DC	█							

方式(一) 适用于UL、CSA规格, 中国安全规格, VDE规格, SASO规格等压缩机 (R22)

Mode (1) be suitable to the models passed UL、CSA、CCC、VDE or SASO(R22)

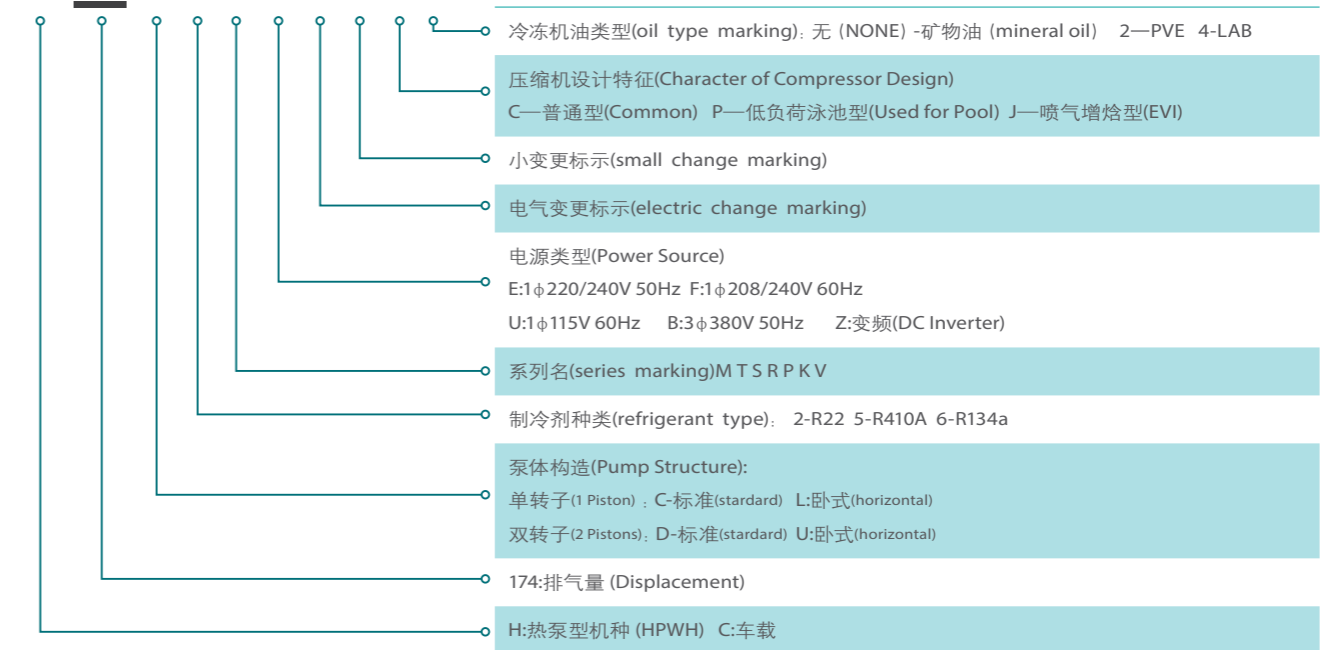
2 V 43 W 225 C * *



方式(三) 适用于新领域市场 (热水器、采暖、车载) 用途压缩机

Mode (3) be suitable for the compressor for heat pump water heater, heating, etc.

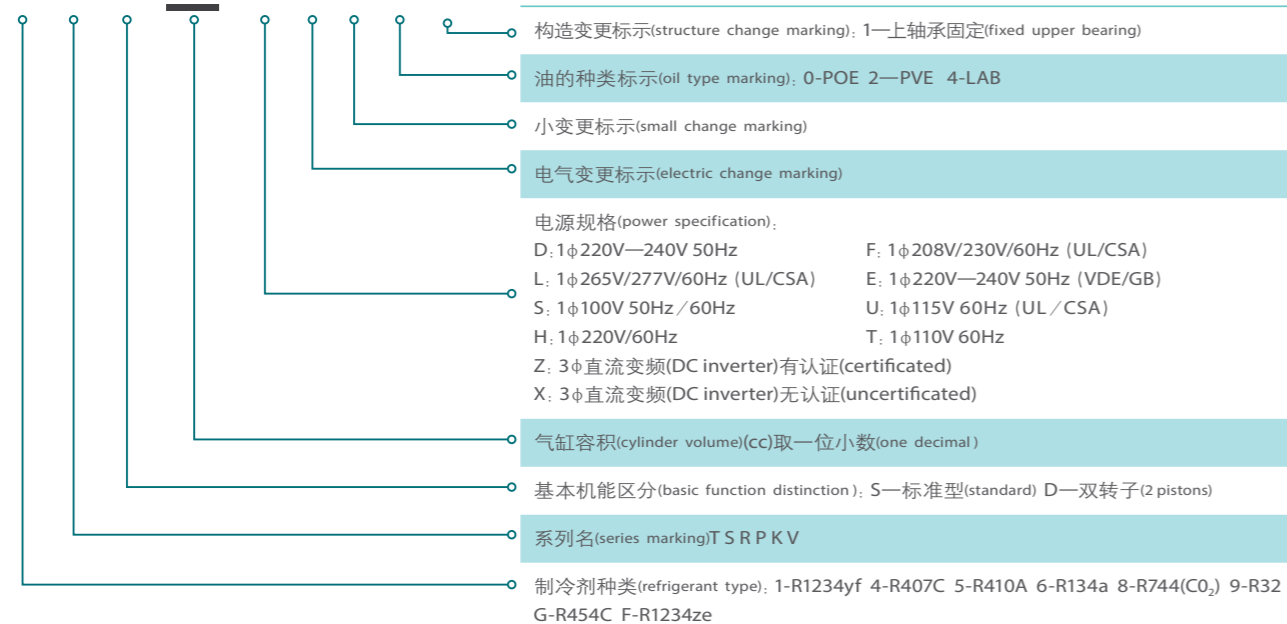
H 174 C 6 P E B A C 2



方式(二) 适用于新冷媒压缩机

Mode (2) be suitable to new refrigerant compressor

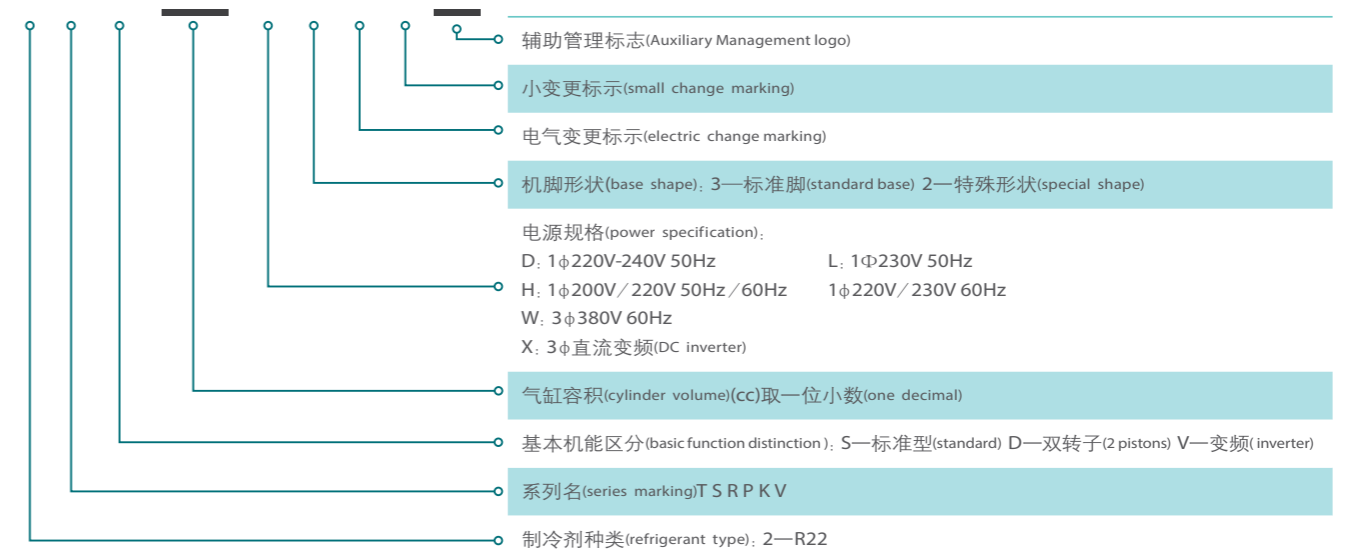
5 R S 102 Z J B 2 1



方式(四) 适用于以上3种命名方式以外的机种

Mode (4) be suitable to other models except for the above

2 P S 156 D 3 E A **



空调除湿机用直流变频 INVERTER COMPRESSOR FOR DEHUMIDIFIER

冷媒 Refrigerant	系列 Series	压缩机能力范围 Compressor capacity range													
		1.0kW	2.2kW	2.5kW	2.8kW	3.6kW	4.0kW	5.0kW	6.3kW	7.1kW	4HP	6HP	8HP	12HP	
R134a	T	■													
R410A	S		■	■	■										
	R		■	■	■	■									
	R2P						■	■	■						
	K									■	■				
	V											■	■	■	
R32	S		■	■	■										
	R		■	■	■	■									
	R2P						■	■	■						
	K									■	■				
	V											■	■	■	

空调除湿机一定速 FIXED FREQUENCY COMPRESSOR FOR DEHUMIDIFIER

产品类别 Product type			压缩机能力范围 Compressor capacity range				
冷媒 Refrigerant	频率 Frequency	电压 Voltage	0.5HP	1.0HP	2.0HP	3.0HP	4.0HP
R22	50Hz	220V-240V		■	■	■	
		T3 220V-240V			■	■	
	60Hz	115V		■	■	■	
		208V-230V		■	■	■	
		T3 220V/230V			■	■	
R410A	50Hz	220V-240V		■	■	■	
		T3 220V-240V			■	■	
	60Hz	115V		■	■	■	
		208V-230V		■	■	■	
		T3 208V-230V			■	■	
R134a	50Hz/60Hz	115/220/230V		■	■	■	
R32	50Hz	220V-240V		■	■	■	

热泵及采暖专用压缩机产品阵容 PRODUCT LINEUP OF HPWH&HEATING COMPRESSOR

用途 Use	冷媒 Refrigerant	电源 Power Source	能力范围 Compressor capacity range							
			0.5HP	小1HP	1HP	1.5HP	2HP	3HP	4HP-6HP	8HP-12HP
热泵热水器 Heat pump water heater(HPWH)	R134a	1φ 220/240V 50Hz	■	■	■	■	■			
		1φ 208/240V 60Hz	■	■	■	■	■			
		DC280V	■	■	■	■	■			
	R22	1φ 220/240V 50Hz		■	■	■	■			
	R410A DC	DC280/520V		■	■	■	■	■	■	■
泳池专用热泵 Heat pump for swimming	R410A	1φ 220/240V 50Hz						■	■	■
		1φ 208/240V 60Hz						■	■	■
		3φ 380V 50Hz						■	■	■
		DC280/520V						■	■	■
采暖热泵 Heat pump for heating	R410A	1φ 220/240V 50Hz							■	■
		3φ 380V 50Hz							■	■
		DC280/520V								■

特殊应用 SPECIAL APPLICATION

产品类别 Product type			能力范围 Compressor capacity range									
冷媒 Refrigerant	频率 Frequency	电压 Voltage	0.1HP	0.5HP	1HP	2HP	3HP	4HP	5HP	6HP	7HP	8HP-12HP

干衣机用压缩机产品阵容 PRODUCT LINEUP OF DRYER COMPRESSOR

R134a	50Hz	220-240V		■	■	■	■				
		115V		■	■	■	■				
	60Hz	208V-230V		■	■	■	■				
		INV	DC280V		■	■	■				

基站专用压缩机产品阵容 PRODUCT LINEUP OF BASE STATION COMPRESSOR

R134a	50Hz	220-240V		■	■	■	■				
	50/60Hz	220V		■	■	■					
		INV	DC48V		■	■	■	■			

设备及自动贩卖机专用压缩机产品阵容 PRODUCT LINEUP OF EQUIPMENT&AUTOMAT COMPRESSOR

R22	50Hz	3φ 380V							■	■	■
R1234yf	50/60Hz	200V		■	■	■					
	INV	DC220V		■	■	■					

车载专用压缩机产品阵容 PRODUCT LINEUP OF VEHICLE COMPRESSOR

R134a	INV	DC24V		■	■						
		DC48V		■	■	■					
R410A	INV	DC280/520V							■	■	■

● R32压缩机 R32 COMPRESSOR						
系列 Series	机种名 Model	排气量 Displacement (cc)	制冷量 Cooling Capacity		能效比 COP W/W	测试条件 Test Condition
			W	BTU/H		

变频 Inverter

S	9SS052XA	5.2	1330	4538	2.53	P-JIS
			2300	7848	7.59	FC
	9SS052XE	5.2	1355	4623	2.61	P-JIS
			2325	7933	9.96	FC
	9SS064XE	6.5	1730	5903	★2.75	P-JIS
	9SS064XG	6.5	1730	5903	2.56	P-JIS
			2860	9758	9.80	FC
	9SS072XA	7.3	1955	6670	2.57	P-JIS
	9SS072XC	7.3	1935	6602	2.58	P-JIS
	9SS080ZA	8.0	2210	7541	2.63	P-JIS
9SS080XD	8.0	2140	7302	2.58	P-JIS	
		4755	16224	8.92	FC	
W	9WS098ZA	9.8	2760	9418	2.83	P-JIS
			3125	10663	4.29	FC
	9WS098XC	9.8	2750	9383	2.78	P-JIS
			4695	16020	5.69	FC
☆9WD138Z	13.8	4070	13887	3.07	P-JIS	
		3744	12775	5.01	FC	
R	9RS092ZA	9.2	2450	8359	2.66	P-JIS
	9RS102ZB	10.3	2865	9775	2.79	P-JIS
	9RS102ZE	10.3	2900	9895	2.80	P-JIS
	9RS102XP	10.3	2878	9820	★2.98	P-JIS
	9RS102XN	10.3	2885	9844	2.79	P-JIS
	9RS124XA	12.4	3465	11823	2.74	P-JIS
C	9CS130XA	13.0	4115	14040	3.14	P-JIS
			3770	12863	6.64	FC
	9CS142XA	14.2	4435	15132	3.06	P-JIS
			5515	18817	6.59	FC
9CS160XA	16.0	4975	16975	3.06	P-JIS	
		7760	26477	6.32	FC	
R2P	9RD132ZA	13.2	2692	9185	6.65	FC
			3700	12624	2.92	P-JIS
	9RD138ZB	13.9	4070	13887	3.07	P-JIS
			3744	12775	5.01	FC
	9RD138XC	13.9	4000	13648	★3.03	P-JIS
			3722	12699	★5.01	FC
	9RD138XH	13.9	4000	13648	2.88	P-JIS
			3725	12710	4.66	FC

备注: ☆表示开发中 ★表示COP已去除变频器功率。
Note: ☆ Under Development ★ Power of inierter is not included in COP.

● R32压缩机 R32 COMPRESSOR						
系列 Series	机种名 Model	排气量 Displacement (cc)	制冷量 Cooling Capacity		能效比 COP W/W	测试条件 Test Condition
			W	BTU/H		

R2P	9RD160ZA	16.1	4550	15525	2.88	P-JIS
			7130	24328	4.34	FC
	9RD160ZB	16.1	4550	15525	2.85	P-JIS
			7130	24328	4.29	FC
	9RD198ZA	19.8	5790	19755	2.75	P-JIS
			7655	26118	4.57	FC
	9RD198XC	19.8	5645	19261	2.72	P-JIS
			6945	23696	3.97	FC
	9RD220ZA	22.0	6410	21870	2.78	P-JIS
			7760	26476	4.62	FC
	9RD220ZB	22.0	6385	21786	2.76	P-JIS
			8881	30302	★3.28	FC
9RD220XC	22.0	6365	21717	2.73	P-JIS	
		7695	26255	4.53	FC	
K	9KD240X	24.0	6845	23355	2.75	P-JIS
	9KD360X	36.0	10430	35587	2.83	P-JIS
	9KD420X	42.0	12160	41490	2.80	P-JIS
V	9VD330XA	33.0	9610	32789	2.89	P-JIS
			11540	39374	5.64	FC
	9VD420XA	42.3	12630	43094	2.96	P-JIS
			15255	52050	4.07	FC
	9VD550XA(单相)	55.0	16800	57322	2.93	P-JIS
	9VD550XA(三相)	55.0	16700	56980	2.88	P-JIS
9VD650XA	65.0	19620	66943	2.82	P-JIS	

定速 Fixed Frequency

220V-240V 50Hz						
S	9SS042DA	4.2	1305	4452	4.41	PMI-RAC
	9SS042DB	4.2	1315	4486	4.17	PMI-RAC
R	9RS050DA	实际4.2	1315	4487	4.28	PMI-RAC
	9RS050DB	实际4.2	1320	4504	4.06	PMI-RAC
	9RS058DB	5.8	1475	5033	3.31	P-RAC
	9RS066DA	6.7	1705	5817	3.34	P-RAC
	9RS072DB	7.3	1880	6415	3.36	P-RAC
	9RS080DC	8.0	2160	7370	3.54	P-RAC
	9RS092DA	9.2	2420	8257	3.41	P-RAC
	9RS092EA	9.2	2470	8428	3.54	P-RAC
	9RS102EA	10.2	2870	9793	3.59	P-RAC

● R32压缩机 R32 COMPRESSOR						
系列 Series	机种名 Model	排气量 Displacement (cc)	制冷量 Cooling Capacity		能效比 COP W/W	测试条件 Test Condition
			W	BTU/H		
P	9PS102EA	10.2	2675	9127	3.45	P-RAC
	9PS102EB	10.2	2710	9247	3.61	P-RAC
	9PS102DF	10.2	2795	9537	3.70	P-RAC
	9PS126DA	12.6	3475	11857	3.70	P-RAC
	9PS132EA	13.2	3630	12386	3.72	P-RAC
	9PS136DA	13.6	3780	12897	3.70	P-RAC
	9PS146DA	14.7	4095	13972	3.71	P-RAC
K	9KS180DA	18.0	4970	16958	3.64	P-RAC
	9KS196DA	19.6	5410	18459	3.58	P-RAC
	9KS205DD	20.7	5725	19773	3.68	P-RAC
V	9VS210DA	21.0	5975	20387	3.83	P-RAC
	9VS250DA	25.0	7120	24293	3.83	P-RAC
	9VS270DA	27.0	7540	25726	3.81	P-RAC
	9VS295DA	29.5	8240	28115	3.68	P-RAC
V2P	9VD330DA	33.0	9340	31868	3.66	P-RAC
220V-240V 60Hz						
R	9RS058HA	5.8	1810	6176	3.55	P-RAC
	9RS066HA	6.7	2080	7097	3.53	P-RAC
	9RS072HA	7.3	2245	7660	3.54	P-RAC
	9RS080HA	8.0	2545	8684	3.53	P-RAC
	9RS096HA	9.6	3145	10645	3.64	P-RAC
P	9PS102HB	10.2	3385	11550	3.76	P-RAC
	9PS108HA	10.8	3595	12266	3.75	P-RAC
	9PS120HA	12.0	3990	13614	3.72	P-RAC
	9PS146HA	14.7	4835	16497	3.75	P-RAC
	9PS160HA	16.0	5400	18425	3.69	P-RAC
K	9KS156HA	15.6	5130	17504	3.77	P-RAC
	9KS180HA	18.0	5955	20318	3.78	P-RAC
	9KS205HA	20.7	6930	23645	3.73	P-RAC
	9KS225HA	22.5	7580	25863	3.72	P-RAC

● R410A压缩机 R410A COMPRESSOR						
系列 Series	机种名 Model	排气量 Displacement (cc)	制冷量 Cooling Capacity		能效比 COP W/W	测试条件 Test Condition
			W	BTU/H		
变频 Inverter						
S	5SS064XB	6.5	1585	5408	2.66	JIS
	5SS072XG	7.3	1765	6024	2.54	JIS
			2420	8257	4.14	FC
	5SS072XE	7.3	1780	6073	2.62	JIS
			2440	8325	4.24	FC
	5SS072ZJ	7.3	1770	6039	2.60	JIS
			2559	8732	3.73	FC
5SS080ZA	8.0	2000	6824	2.63	JIS	
		2709	9243	3.79	FC	
R	5RS092ZS	9.2	2325	7933	2.81	JIS
			3190	10884	4.53	FC
	5RS092ZK	9.2	2300	7848	2.69	JIS
			3155	10765	4.35	FC
	5RS102ZM	10.3	2585	8820	2.72	JIS
			3725	12710	4.46	FC
	5RS102ZS	10.3	2625	8957	2.68	JIS
			2610	8905	2.72	JIS
	5RS102ZK	10.3	3760	12829	4.45	FC
			2600	8872	2.72	JIS
	5RS102ZV	10.3	3385	11550	2.71	JIS
			4695	16019	4.43	FC
	5RS132ZA	13.2	3390	11566	2.66	JIS
			4700	16036	4.35	FC
3290			11225	2.62	JIS	
4190			14296	2.53	FC	
R2P	5RD132XL	13.2	3370	11498	2.70	JIS
			4200	14330	2.54	FC
			3565	12164	2.73	JIS
	5RD138ZA	13.9	3590	12249	2.71	JIS
			4715	16087	3.13	ARI
	5RD160ZA	16.1	4710	16070	3.07	ARI
			5265	17965	2.79	JIS
	5RD198ZA	19.8	7310	24942	3.45	FC
			5265	17965	2.83	JIS
	5RD198ZB	19.8	7310	24942	3.50	FC
5440			18561	3.01	ARI	
K	5KD184XA	18.4	6000	20472	4.20	FC
			7295	24839	2.97	ARI
	5KD240XD	24.0	8000	27296	4.42	FC
			7140	24362	2.95	ARI
	5KD240ZF	24.0	3565	12164	2.73	JIS
			10890	37157	3.19	ARI
	5KD360ZA	36.0	12920	44083	3.19	ARI
10135			34581	3.18	ARI	
V	5VD330ZA	33.0	11060	37737	4.68	FC
			13400	45721	3.26	ARI
	5VD420XE	42.3	14695	50139	4.54	FC
			17250	58857	3.14	ARI
	5VD550ZA(单相)	55.0	17270	58925	3.16	ARI
	5VD550ZB(三相)	55.0	20410	69639	3.12	ARI
	5VD650	65.0				

• R410A压缩机 R410A COMPRESSOR

系列 Series	机种名 Model	排气量 Displacement (cc)	制冷量 Cooling Capacity		输入功率 Input Power W	能效比 COP W/W	测试条件 Test Condition	运行电容 Run Capacitor μF/V
			W	BTU/H				

定速 Fixed Frequency

110V 60Hz

R	5RS062TA	6.2	1765	6022	600	2.94	N-TEC	35/250
	5RS066TA	6.7	1895	6466	655	2.89	N-TEC	35/250
	5RS066TB	6.7	1895	6466	650	2.92	N-TEC	35/250
	5RS072TA	7.3	2065	7046	710	2.91	N-TEC	35/250

115V 60Hz

R	5RS058UA	5.8	1640	5596	590	2.78	N-TEC	35/250
	5RS062UA	6.2	1785	6090	605	2.95	N-TEC	25/250
	5RS066UA	6.7	1890	6449	665	2.84	N-TEC	35/250
	5RS072UB	7.3	2055	7012	730	2.82	N-TEC	35/250
	5RS080UA	8.0	2250	7677	790	2.85	N-TEC	35/250
	5RS080UB	8.0	2300	7848	780	2.95	N-TEC	35/250
	5RS086UA	8.6	2490	8496	855	2.91	N-TEC	35/250

P	5PS102UB	10.2	2930	9997	1045	2.80	N-TEC	40/250
	5PS102UD	10.2	3030	10338	1010	3.00	N-TEC	55/370
	5PS108UA	10.8	3185	10867	1060	3.00	N-TEC	55/370
	5PS118UB	11.8	3450	11771	1190	2.90	N-TEC	50/250

200V 50/60Hz

R	5RS072KA	7.3	1710/2070	5835/7063	615/720	2.78/2.88	N-TEC	20/250
---	----------	-----	-----------	-----------	---------	-----------	-------	--------

208V-230V 60Hz

R	5RS058FA	5.8	1630	5562	590	2.76	N-TEC	15/370
	5RS062FA	6.2	1745	5954	630	2.77	N-TEC	15/370
	5RS062FB	6.2	1765	6022	605	2.92	N-TEC	15/370
	5RS072FA	7.3	2020	6892	740	2.73	N-TEC	15/370
	5RS080FB	8.0	2265	7728	790	2.87	N-TEC	15/370

P	5PS102FA	10.2	2855	9741	1010	2.83	N-TEC	30/330
	5PS108FB	10.8	3150	10748	1090	2.89	N-TEC	30/370
	5PS112FB	11.2	3240	11055	1110	2.92	N-TEC	30/370
	5PS118FB	11.8	3430	11703	1180	2.91	N-TEC	30/330
	5PS136FB	13.6	3965	13529	1380	2.87	N-TEC	40/330
	5PS136FC	13.6	4020	13716	1330	3.02	N-TEC	40/330
	5PS146FA	14.7	4355	14859	1480	2.94	N-TEC	40/370

K	5KS170FB	17.0	5120	17469	1710	2.99	N-TEC	40/370
---	----------	------	------	-------	------	------	-------	--------

• R410A压缩机 R410A COMPRESSOR

系列 Series	机种名 Model	排气量 Displacement (cc)	制冷量 Cooling Capacity		输入功率 Input Power W	能效比 COP W/W	测试条件 Test Condition	运行电容 Run Capacitor μF/V
			W	BTU/H				

220V 60Hz

R	5RS058HA	5.8	1590	5425	575	2.77	N-TEC	15/370
	5RS062HA	6.2	1765	6022	595	2.97	N-TEC	15/370
	5RS066HB	6.7	1885	6432	645	2.92	N-TEC	15/370
	5RS066HC	6.7	1885	6432	650	2.90	N-TEC	15/370
	5RS072HA	7.3	2050	6995	720	2.85	N-TEC	15/370
	5RS080HB	8.0	2260	7711	780	2.90	N-TEC	15/370
	5RS080HC	8.0	2305	7865	780	2.96	N-TEC	15/370
	5RS086HA	8.6	2430	8291	835	2.91	N-TEC	15/370
	5RS092HA	9.2	2605	8888	920	2.83	N-TEC	20/370
	5RS092HB	9.2	2630	8974	915	2.87	N-TEC	20/370

P	5PS102HA	10.2	2970	10134	1040	2.86	N-TEC	30/370
	5PS102HB	10.2	2940	10031	1000	2.94	N-TEC	30/370
	5PS108HB	10.8	3150	10748	1065	2.96	N-TEC	30/370
	5PS112HA	11.2	3225	11004	1115	2.89	N-TEC	30/330
	5PS118HA	11.8	3400	11601	1175	2.89	N-TEC	30/330
	5PS126HA	12.7	3660	12488	1240	2.95	N-TEC	35/330
	5PS136HA	13.6	3950	13477	1375	2.87	N-TEC	40/330

K	5PS146HA	14.7	4325	14757	1430	3.02	N-TEC	40/370
	5KS162HB	16.2	4790	16343	1565	3.06	N-TEC	40/370
	5KS170FB	17.0	5120	17469	1710	2.99	N-TEC	40/370
	5KS170HB	17.0	4985	17009	1635	3.05	N-TEC	40/370
	5KS180HA	18.0	5285	18032	1730	3.05	N-TEC	40/370
	5KS196HA	19.6	5815	19841	1980	2.94	N-TEC	35/370
	5KS225HA	22.5	6670	22758	2340	2.85	N-TEC	50/370

V	5KS196HB	19.6	5840	19926	1915	3.05	N-TEC	35/370
	5KS225HB	22.5	6670	22758	2225	3.00	N-TEC	35/370
	5VS210HA	21.0	6250	21325	2015	3.10	N-TEC	45/400
	5VS225HB	22.5	6795	23185	2205	3.08	N-TEC	50/400
	5VS245HA	24.9	7600	25931	2550	2.98	N-TEC	50/370
	5VS250HA	25.1	7710	26307	2480	3.11	N-TEC	50/400
	5VS270HA	27.4	8370	28558	2835	2.95	N-TEC	50/370
	5VS295HA	29.5	8965	30589	3035	2.95	N-TEC	55/400
	5VS245HA	24.9	7600	25931	2550	2.98	N-TEC	50/370
	5VS250HA	25.1	7710	26307	2480	3.11	N-TEC	50/400

V	5VS270HA	27.4	8370	28558	2835	2.95	N-TEC	50/370
	5VS295HA	29.5	8965	30589	3035	2.95	N-TEC	55/400

● R410A压缩机 R410A COMPRESSOR								
系列 Series	机种名 Model	排气量 Displacement (cc)	制冷量 Cooling Capacity		输入功率 Input Power W	能效比 COP W/W	测试条件 Test Condition	运行电容 Run Capacitor μF/V
			W	BTU/H				
220V-240V 50Hz								
R	5RS066EA	6.7	1550	5289	560	2.77	N-TEC	15/370
	5RS072EA	7.2	1685	5750	595	2.83	N-TEC	15/370
	5RS080EA	8.0	1840	6278	665	2.77	N-TEC	20/370
	5RS080EB	8.0	1880	6415	650	2.89	N-TEC	20/370
	5RS086EA	8.6	2020	6892	700	2.89	N-TEC	20/370
	5RS092EA	9.2	2130	7268	770	2.77	N-TEC	20/370
	5RS092EB	9.2	2200	7506	760	2.89	N-TEC	20/370
	5RS102EB	10.2	2420	8257	850	2.85	N-TEC	20/370
	5RS124EA	12.4	2945	10048	1055	2.79	N-TEC	20/370
	5RS132EB	13.2	3130	10680	1140	2.75	N-TEC	20/370
P	5PS102EB	10.2	2370	8086	825	2.87	N-TEC	35/370
	5PS102EC	10.2	2370	8086	810	2.93	N-TEC	35/370
	5PS108EA	10.8	2515	8581	880	2.86	N-TEC	30/370
	5PS122EA	12.2	2930	9997	995	2.94	N-TEC	30/370
	5PS126EA	12.7	3043	10383	1035	2.94	N-TEC	35/370
	5PS136EA	13.6	3280	11191	1095	3.00	N-TEC	35/370
	5PS146EA	14.7	3505	11959	1225	2.86	N-TEC	30/370
	5PS146EB	14.7	3525	12027	1210	2.91	N-TEC	30/370
K	5KS170EA	17.0	4090	13955	1400	2.92	N-TEC	40/370
	5KS205EA	20.7	4875	16634	1685	2.89	N-TEC	50/370
	5KS225EA	22.5	5400	18425	1920	2.81	N-TEC	50/400
V	5VS245EA	24.9	6090	20779	2075	2.93	N-TEC	60/400
	5VS270EZ	27.4	6705	22877	2270	2.95	N-TEC	60/370
	5VS280EZ	28.0	6820	23270	2260	3.02	N-TEC	60/370
	5VS295EZ	29.5	7220	24635	2445	2.95	N-TEC	60/370
265/277V 60Hz								
R	5RS058LA	5.8	1610	5493	595	2.71	N-TEC	15/400
	5RS062LA	6.2	1750	5971	630	2.78	N-TEC	15/400
	5RS062LB	6.2	1785	5971	615	2.90	N-TEC	15/400
	5RS072LA	7.3	2070	7063	735	2.82	N-TEC	15/400
P	5PS108LB	10.8	3150	10748	1090	2.89	N-TEC	25/370
	5PS136LB	13.6	3955	13494	1385	2.86	N-TEC	25/400
	5PS136LC	13.6	4060	13494	1340	3.03	N-TEC	25/400
K	5PS146LA	14.7	4275	14586	1470	2.91	N-TEC	25/400
	5KS170LA	17.0	5040	17196	1750	2.88	N-TEC	35/370

● R407C压缩机 R407C COMPRESSOR								
系列 Series	机种名 Model	排气量 Displacement (cc)	制冷量 Cooling Capacity		输入功率 Input Power W	能效比 COP W/W	测试条件 Test Condition	运行电容 Run Capacitor μF/V
			W	BTU/H				
110V 50Hz / 60Hz								
R	4RS080SAB	8.0	1315	4487	490	2.68	N-TEC	35/230
	4RS102SBA	10.3	1725	5886	590	2.92	N-TEC	70/180
	4RS132SAA	13.2	2200	7507	765	2.88	N-TEC	60/230
● 中东向T3压缩机 MIDDLE EAST T3 COMPRESSOR								
系列 Series	机种名 Model	排气量 Displacement (cc)	制冷量 Cooling Capacity		输入功率 Input Power W	能效比 COP W/W	测试条件 Test Condition	运行电容 Run Capacitor μF/V
			W	BTU/H				
R22								
220-240V 50Hz								
V	2V36S225CU	35.6	6375	21752	2020	3.16	N-TEC	50/400
	2V38S225BU	37.7	6595	22502	2145	3.07	N-TEC	60/400
220/230V 60Hz								
K	2K28C226AU	28.2	6055	20660	2000	3.03	N-TEC	50/370
	2V34S226AU	33.6	7165	24447	2245	3.19	N-TEC	55/400
V	2V36S226AU	35.6	7450	25419	2395	3.11	N-TEC	50/400
	2V30S236AU	29.5	6275	21410	1915	3.28	N-TEC	50/440
	2V34S236AU	33.6	7190	24532	2260	3.18	N-TEC	50/400
	2V40S236AU	39.3	8470	28900	2935	2.89	N-TEC	50/400
R410A								
220-240V 50Hz								
K	5KS196DA	19.6	4770	16275	1600	2.98	N-TEC	45/370
	5KS196DB	19.6	4740	16173	1575	3.01	N-TEC	45/370
V	5VS270DA	27.0	6540	22314	2180	3.00	N-TEC	60/400
	5VS290DA	29.0	7025	23969	2340	3.00	N-TEC	60/400
220-230V 60Hz								
P	5PS160HA	16.0	4755	16224	1570	3.03	N-TEC	45/400
	5KS162HB	16.2	4755	16224	1560	3.05	N-TEC	35/400
	5KS170HB	17.0	4985	17009	1635	3.05	N-TEC	40/370
	5KS180HA	18.0	5285	18032	1730	3.05	N-TEC	40/370
	5KS196HA	19.6	5840	19926	1915	3.05	N-TEC	35/370
V	5KS225HB	22.5	6670	22758	2225	3.00	N-TEC	35/370
	5VS210HA	21.0	6250	21325	2015	3.10	N-TEC	45/400
	5VS225HB	22.5	6795	23185	2205	3.08	N-TEC	50/400
	5VS250HA	25.1	7710	26307	2480	3.11	N-TEC	50/400
R410A Inverter								
R	5RD160X	16.1	4715	16087	1506	3.13	ARI	-
	5RD198Z	19.8	5780	19721	1883	3.07	ARI	-
K	5KD240X	24.0	7175	24481	2405	2.98	ARI	-
V	5VD330X	33.0	10135	34581	3185	3.18	ARI	-
	5VD420X	42.3	13400	45721	4110	3.26	ARI	-

● 除湿机用压缩机 COMPRESSOR FOR DEHUMIDIFIER

系列 Series	机种名 Model	排气量 Displacement (cc)	制冷量 Cooling Capacity		输入功率 Input Power W	能效比 COP W/W	测试条件 Test Condition	运行电容 Run Capacitor μ F/V
			W	BTU/H				

R134a

100V 50Hz/60Hz

T	6TS035SF	3.5	382/450	1303/1535	153/170	2.50/2.65	N-TEC	20/200
	6TD046SD	4.6	490/595	1672/2031	202/220	2.43/2.70	N-TEC	20/200
	6TD058SA	5.9	610/715	2081/2440	285/301	2.14/2.38	N-TEC	20/200
	6TD068SE	6.8	720/865	2457/2952	295/335	2.44/2.58	N-TEC	30/200
	6TD075SD	7.5	815/990	2781/3378	335/360	2.43/2.75	N-TEC	35/200
S	6SS060SA	6.0	680/810	2320/2781	268/282	2.54/2.87	N-TEC	开发中
	6SS064SA	6.4	730/880	2491/3003	283/304	2.58/2.89	N-TEC	开发中
	6SS072SA	7.2	825/975	2815/3327	308/338	2.68/2.91	N-TEC	开发中

110V 60Hz

T	6TS026TA	2.6	342	1167	125	2.74	N-TEC	15/200
	6TS027TC	2.7	360	1228	126	2.86	N-TEC	12.5/200
	6TS035TG	3.5	464	1583	167	2.78	N-TEC	15/200
	6TD042TA	4.3	555	1894	196	2.83	N-TEC	15/200
	6TD046TA	4.6	600	2047	208	2.88	N-TEC	开发中
	6TD048TB	4.8	610	2082	215	2.84	N-TEC	15/200
	6TD052TA	5.3	675	2304	240	2.81	N-TEC	15/200
	6TD058TC	5.9	745	2542	270	2.76	N-TEC	15/200
	6TD060TA	6.0	765	2610	274	2.79	N-TEC	开发中
	6TD062TA	6.2	805	2747	285	2.82	N-TEC	25/200
	6TD068TA	6.8	865	2951	307	2.82	N-TEC	开发中
	6TD075TB	7.5	950	3242	338	2.81	N-TEC	15/200
	6TD080TA	8.1	1035	3531	368	2.81	N-TEC	开发中
S	6SS042TA	4.2	565	1945	192	2.95	N-TEC	开发中
	6SS046TA	4.6	615	2098	208	2.95	N-TEC	开发中
	6SS052TB	5.2	685	2337	232	2.95	N-TEC	20/200
	6SS060TC	6.0	800	2730	269	2.97	N-TEC	30/200
	6SS064TA	6.4	845	2883	287	2.94	N-TEC	30/200
	6SS072TA	7.3	985	3361	326	3.02	N-TEC	30/200

● 除湿机用压缩机 COMPRESSOR FOR DEHUMIDIFIER

系列 Series	机种名 Model	排气量 Displacement (cc)	制冷量 Cooling Capacity		输入功率 Input Power W	能效比 COP W/W	测试条件 Test Condition	运行电容 Run Capacitor μ F/V
			W	BTU/H				

115V 60Hz

T	6TD046UB	4.6	600	2047	242	2.48	N-TEC	20/210
	6TD068UA	6.8	850	2900	380	2.24	N-TEC	30/210
	6TD075UA	7.5	965	3293	368	2.62	N-TEC	30/210
S	6SS042U	4.2	570	1945	208	2.74	N-TEC	开发中
	6SS046U	4.6	625	2133	225	2.78	N-TEC	开发中
	6SS052U	5.2	700	2388	250	2.80	N-TEC	开发中
	6SS064U	6.4	865	2951	307	2.82	N-TEC	开发中
	6SS072U	7.2	975	3327	345	2.83	N-TEC	开发中

220V/60Hz

T	6TS026HA	2.6	352	1201	135	2.61	N-TEC	7.5/370
	6TS027HA	2.7	365	1245	142	2.57	N-TEC	7.5/370
	6TS035HB	3.5	467	1593	169	2.76	N-TEC	7/370
	6TD046HC	4.6	585	1996	223	2.62	N-TEC	7.5/370
	6TD058HB	5.9	760	2593	265	2.87	N-TEC	8/370
	6TD068HB	6.8	855	2918	300	2.85	N-TEC	8/370
	6TD075HA	7.5	960	3276	371	2.59	N-TEC	12.5/370
	S	6SS042HA	6.0	565	1928	196	2.88	N-TEC

220V-240V 50Hz

T	6TS027EA	2.7	300/300	1024/1024	128/140	2.34/2.15	N-TEC	5/400
	6TS035ED	3.5	372/373	1269/1273	154/158	2.41/2.36	N-TEC	5/400
	6TD042EA	4.3	457/462	1560/1577	177/188	2.58/2.46	N-TEC	10/370
	6TD046ED	4.6	478/485	1631/1655	181/187	2.64/2.59	N-TEC	7.5/370
	6TD058EA	5.9	615/620	2098/2115	234/252	2.63/2.46	N-TEC	10/370
	6TD058EB	5.9	610/620	2081/2115	231/246	2.64/2.52	N-TEC	10/370
	6TD068EA	6.8	700/705	2388/2405	300/335	2.33/2.10	N-TEC	7.5/400
	6TD068EB	6.8	690/700	2354/2388	283/307	2.44/2.28	N-TEC	7.5/400

● 除湿机用压缩机 COMPRESSOR FOR DEHUMIDIFIER

系列 Series	机种名 Model	排气量 Displacement (cc)	制冷量 Cooling Capacity		输入功率 Input Power W	能效比 COP W/W	测试条件 Test Condition	运行电容 Run Capacitor μ F/V
			W	BTU/H				
220V-240V 50Hz								
T	6TD068EC	6.8	715/725	2440/2474	270/291	2.65/2.49	N-TEC	10/400
	6TD075EA	7.5	785/790	2678/2695	306/337	2.57/2.34	N-TEC	10/400
	6TD075EE	7.5	790/800	2695/2730	292/320	2.71/2.50	N-TEC	10/400
S	6SS064EC	6.4	710/715	2423/2440	262/279	2.71/2.56	N-TEC	12.5/400
	6SS072EA	7.2	795/805	2698/2722	282/297	2.82/2.71	N-TEC	12.5/400
变频DC								
T	6TS035ZA	3.5	452	1542	197	2.29	N-TEC	—
	6TD058XA	5.8	790	2695	275	2.87	N-TEC	—
	6TD068XA	6.8	910	3105	331	2.75	N-TEC	—
	6TD075XA	7.5	995	3395	365	2.73	N-TEC	—

R410A

110V 60Hz								
S	5SS042T	4.2	1160	3958	455	2.55	N-TEC	20/200
	5SS052T	5.2	1410	4811	540	2.61	N-TEC	20/200

115V 60Hz								
R	5RS058U	5.8	1640	5596	590	2.78	N-TEC	35/250
	5RS072U	7.3	2055	7012	730	2.82	N-TEC	35/250
	5RS080U	8.0	2260	7711	800	2.83	N-TEC	35/250

220-240V 50Hz								
S	5SS042E	4.2	960/965	3276/3293	380/405	2.53/2.38	N-TEC	15/370

220-240V 50Hz								
S	5SS042E	4.2	960/965	3276/3293	380/405	2.53/2.38	N-TEC	15/370

R454C

220/240V 50Hz								
R	GRS102E	10.3	1600	5460	610	2.62	N-TEC	20/400
	GRS132E	13.2	2000	6825	730	2.74	N-TEC	15/400
P	GPS192E	19.1	2810	9590	1100	2.55	N-TEC	35/370
K	GKS280E	28.2	4300	14670	1600	2.69	N-TEC	50/370

● 热泵热水器用 COMPRESSOR FOR HPWH

系列 Series	机种名 Model	排气量 Displacement (cc)	制热量 Heating Capacity		输入功率 Input Power W	能效比 COP W/W	冷凝温度 Condensing Temp. $^{\circ}$ C	出水温度 Outlet Water Temp. $^{\circ}$ C	测试条件 Test Condition	运行电容 Run Capacitor μ F/V
			W	BTU/H						

高效定速R134a HIGH-EFFICIENCY FIXED FREQUENCY R134a

220/240V 50Hz										
T	H046D6TEAAC4	4.6	670	2287	175	3.83	≤ 65	≤ 60	N-TEC	7.5/370
S	H064C6SEAAC2	6.4	960	3276	245	3.92	≤ 81	≤ 76	N-TEC	12.5/400
	H072C6SEAAC2	7.2	1080	3686	270	4.00	≤ 81	≤ 76	N-TEC	12.5/400
R	H086C6REAAC2	8.6	1275	4350	305	4.18	≤ 81	≤ 76	N-TEC	15/400
	H092C6REAAC2	9.2	1380	4709	330	4.18	≤ 81	≤ 76	N-TEC	15/400
	H124C6REBAC2	12.4	1880	6415	450	4.18	≤ 81	≤ 76	N-TEC	15/400
P	H174C6PEAAC2	17.4	2625	8957	620	4.23	≤ 85	≤ 80	N-TEC	30/370
	H198C6PEAAC2	19.9	2975	10151	715	4.16	≤ 81	≤ 76	N-TEC	30/370
K	H250C6KEAAC2	25.2	3755	12813	890	4.22	≤ 90	≤ 85	N-TEC	35/370
V	H355C6VEAAC2	35.6	5650	19279	1350	4.19	≤ 81	≤ 76	N-TEC	65/370

高水温定速R134a HIGH WATER TEMPERATURE FIXED FREQUENCY R134a

220/240V 50Hz										
P	H174C6PECAC2	17.4	2660	9079	640	4.16	≤ 90	≤ 85	N-TEC	30/370
K	H250C6KEAAC2	25.2	3755	12813	890	4.22	≤ 90	≤ 85	N-TEC	35/370

北美向高效定速R134a HIGH-EFFICIENCY FIXED FREQUENCY FOR HPWH(NORTH AMERICA) R134a

208/240V 60Hz										
R	H086C6RFAAC2	8.6	1580	5393	375	4.21	≤ 81	≤ 76	N-TEC	12/400
	H092C6RFAAC2	9.2	1680	5722	400	4.20	≤ 81	≤ 76	N-TEC	12/400
	H124C6RFAAC2	12.4	2265	7730	540	4.19	≤ 81	≤ 76	N-TEC	30/370
V	6VS355FAA21	35.6	6730	22963	1605	4.19	≤ 81	≤ 76	N-TEC	50/370
	6VD485FAA21	48.8	9230	31494	2200	4.20	≤ 81	≤ 76	N-TEC	50/370

变频R134a DC INVERTER R134a

DC280V 57.5Hz										
T	H075D6TZAAC4	7.5	1370	4676	325	4.22	≤ 81	≤ 76	N-TEC	-
R	H102C6RZAAC2	10.3	1890	6451	440	4.30	≤ 81	≤ 76	N-TEC	-
	H138D6RZAAC2	13.8	2525	8618	585	4.32	≤ 81	≤ 76	N-TEC	-

● 热泵热水器用 COMPRESSOR FOR HPWH

系列 Series	机种名 Model	排气量 Displacement (cc)	制热量 Heating Capacity		输入功率 Input Power W	能效比 COP W/W	冷凝温度 Condensing Temp.	出水温度 Outlet Water Temp.	测试条件 Test Condition	运行电容 Run Capacitor μF/V
			W	BTU/H			℃	℃		
R	H198D6RZAAC2	19.8	3620	12355	850	4.26	≤81	≤76	N-TEC	-
	H220D6RZAAC2	22.0	4025	13739	950	4.24	≤81	≤76	N-TEC	-
V	H420D6VZAAC2	42.3	7740	26416	1820	4.25	≤81	≤76	N-TEC	-
	H650D6VZAAC2	65.0	11890	40581	2815	4.22	≤81	≤76	N-TEC	-

变频R410A DC INVERTER R410A

DC280V 57.5Hz										
R	H102C5RZAAC2	10.3	3945	13461	905	4.36	≤70	≤65	N-TEC	-
	H132D5RZAAC2	13.2	5030	17163	1180	4.26	≤70	≤65	N-TEC	-
	H138D5RZAAC2	13.8	5380	18357	1250	4.30	≤70	≤65	N-TEC	-
	H220D5RZAAC2	22.0	8575	29266	2000	4.29	≤70	≤65	N-TEC	-
V	H420D5VZAAC2	42.3	16490	56280	3985	4.14	≤70	≤65	N-TEC	-
	H650D5VZAAC2	65.0	25340	86485	6125	4.14	≤70	≤65	N-TEC	-

定速R22 FIXED FREQUENCY R22

220/240V 50Hz										
R	H086C2REBAC	8.6	1915	6536	455	4.21	≤70	≤65	N-TEC	15/400
	H092C2REAAC	9.2	1985	6773	480	4.14	≤70	≤65	N-TEC	15/400
K	H225C2KEAAC	22.5	5055	17248	1215	4.16	≤70	≤65	N-TEC	35/400
V	H355C2VEAAC	35.6	8120	27705	1980	4.10	≤70	≤65	N-TEC	60/370

定速R1234ze FIXED FREQUENCY R1234ze

220/240V 50Hz										
R	H092CFREAAC4	9.2	1378	4702	333	4.14	≤81	≤76	N-TEC	15/370
	H124CFREAAC4	12.4	1836	6264	446	4.12	≤81	≤76	N-TEC	15/400
P	H174CFPEAAC4	17.4	2610	8905	620	4.21	≤81	≤76	N-TEC	30/370

R744 CO₂ R744 CO₂ FOR HPWH DC

220/240V 50Hz										
C	8CS044ZAA64	4.4	4440	15149	1260	3.52	≤100	≤90	CO ₂ /58Hz	-
	8CS044XCA64	4.4	3085	10526	860	3.59	≤100	≤90	CO ₂ /41.5Hz	-

● 泳池热泵用 COMPRESSOR FOR SWIMMING POOL HPWH

系列 Series	机种名 Model	排气量 Displacement (cc)	制热量 Heating Capacity		输入功率 Input Power W	能效比 COP W/W	冷凝温度 Condensing Temp.	出水温度 Outlet Water Temp.	测试条件 Test Condition	运行电容 Run Capacitor μF/V
			W	BTU/H			℃	℃		

定速&变频R410A FIXED FREQUENCY and DC INVERTER R410A

1PH 220/240V 50Hz										
V	H250C5VEAAP2	25.2	8145	27799	2030	4.01	≤65	≤60	N-TEC	60/400
	H295C5VEAAP2	29.5	9600	32765	2440	3.93	≤65	≤60	N-TEC	60/400
	H340D5VEAAP2	34.2	11190	38182	2885	3.88	≤60	≤55	N-TEC	55/400
	H420D5VEAAP2	42.3	13175	44955	3440	3.83	≤60	≤55	N-TEC	55/400

1PH 208/240V 60Hz										
V	H340D5VFAAP2	34.2	13775	47002	3525	3.91	≤60	≤55	N-TEC	45/400
	H420D5VFAAP2	42.3	17040	58158	4285	3.98	≤60	≤55	N-TEC	60/400

3PH 380V 50Hz										
V	H340D5VBAAP2	34.2	11255	38413	2835	3.97	≤65	≤60	N-TEC	-
	H420D5VBAAP2	42.3	13120	44779	3320	3.95	≤65	≤60	N-TEC	-

变频 DC INVERTER 57.5Hz										
R	H138D5RZAAC2	13.8	5380	18357	1250	4.30	≤70	≤65	N-TEC	-
	H220D5RZAAC2	22.0	8575	29266	2000	4.29	≤70	≤65	N-TEC	-
V	H420D5VZAAC2	42.3	16490	56280	3985	4.14	≤70	≤65	N-TEC	-
	H550D5VZAAC2	55.1	21480	73311	5235	4.10	≤70	≤65	N-TEC	-
	H650D5VZAAC2	65.0	25340	86485	6125	4.14	≤70	≤65	N-TEC	-

定速R32 FIXED FREQUENCY R32

1PH 220/240V 50Hz										
R	9RS072DAA21	7.2	2515	8582	560	4.49	≤65	≤60	P-RAC	30/370
P	9PS102EAA21	10.2	3470	11840	770	4.51	≤65	≤60	P-RAC	50/370
K	9KS205DAA21	20.5	7400	25250	1615	4.58	≤65	≤60	P-RAC	60/400
V	9VS270DAA21	27.0	9655	32944	2075	4.65	≤65	≤60	P-RAC	50/400
	9VD330DAA21	33.0	12045	41099	2640	4.56	≤65	≤60	P-RAC	55/400

变频R32/R410A DC INVERTER R32/R410A

变频 DC INVERTER 57.5Hz										
R	9RD138ZAA21	13.8	5480	18699	1420	3.86	≤65	≤60	P-JIS-A	-
	9RD220ZAA21	22.0	8735	29805	2315	3.77	≤65	≤60	P-JIS-A	-
V	9VD330ZAA21	33.0	13100	44699	3380	3.88	≤65	≤60	P-JIS-A	-
	9VD420ZAA21	42.3	16795	57307	4380	3.83	≤65	≤60	P-JIS-A	-
	9VD550ZAA21	55.1	21880	74658	5720	3.83	≤65	≤60	P-JIS-A	-
	9VD650ZAA21	65.0	25800	88034	6560	3.93	≤65	≤60	P-JIS-A	-

● 热泵采暖用 变频非喷气增焐 R410A DC INVERTER FOR HEATING HEAT PUMP R410A

系列 Series	机种名 Model	排气量 Displacement (cc)	N-TEC工况 N-TEC Condition				蒸发温度 Outlet Water Temp. ℃	冷凝温度 Condensing Temp. ℃
			制热量 Heating Capacity		输入功率 Input Power W	能效比 COP W/W		
			W	BTU				
R	H160D5RZAAC2	16.1	6420	21911	1585	4.050	≥-30	≤70
	H220D5RZAAC2	22.0	8575	29266	2000	4.288	≥-30	≤70
K	H240D5KZAAC2	24.0	9580	32697	2305	4.156	≥-30	≤70
V	H420D5VZAAC2	42.3	16490	56280	3985	4.138	≥-30	≤70
	H550D5VZAAC2	55.1	21480	73311	5235	4.103	≥-30	≤70
	H650D5VZAAC2	65.0	25340	86485	6125	4.137	≥-30	≤70

● 热泵采暖用 变频喷气增焐R410A DC INVERTER EVI FOR HEATING HEAT PUMP R410A

系列 Series	机种名 Model	排气量 Displacement (cc)	N-TEC工况 N-TEC Condition				蒸发温度 Outlet Water Temp. ℃	冷凝温度 Condensing Temp. ℃
			制热量 Heating Capacity		输入功率 Input Power W	能效比 COP W/W		
			W	BTU				
R	H102C5RZBAJ2	10.2	4075	13908	980	4.158	≥-30	≤70
	H138D5RZAAJ2	13.8	5395	18408	1285	4.198	≥-30	≤70
	H220D5RZAAJ2	22.0	8600	29343	2050	4.195	≥-30	≤70
K	H240D5KZAAJ2	24.0	9780	33369	2465	3.968	≥-30	≤70
	H420D5KZAAJ2	42.3	17420	59437	4220	4.128	≥-30	≤70
V	H420D5VZAAJ2	42.3	17420	59437	4220	4.128	≥-30	≤70
	H550D5VZAAJ2	55.1	23860	81410	5870	4.065	≥-30	≤70
	H650D5VZAAJ2	65.0	28150	96048	6960	4.045	≥-30	≤70

● 热泵采暖用 变频喷气增焐 R32/R410A DC INVERTER EVI FOR HEATING HEAT PUMP R32/R410A

系列 Series	机种名 Modell	排气量 Displacement (cc)	N-TEC工况 N-TEC Condition				蒸发温度 Outlet Water Temp. ℃	冷凝温度 Condensing Temp. ℃
			制热量 Heating Capacity		输入功率 Input Power W	能效比 COP W/W		
			W	BTU				
R	9RD138ZAA2J	13.8	5210	17782	1375	3.789	≥-30	≤65
	9RD220ZAA2J	22.0	8720	29761	2345	3.719	≥-30	≤65
K	9KD240ZAA2J	24.0	9440	32219	2580	3.659	≥-30	≤65
V	9VD420ZAA2J	42.3	16810	57373	4390	3.829	≥-30	≤65
	9VD550ZAA2J	55.1	21860	74608	5685	3.845	≥-30	≤65
	9VD650ZAA2J	65.0	25830	88158	6775	3.813	≥-30	≤65

● 热泵烘干用 变频R134a DC INVERTER FOR DRYER R134a

系列 Series	机种名 Model	排气量 Displacement (cc)	N-TEC工况 N-TEC Condition				蒸发温度 Outlet Water Temp. ℃	冷凝温度 Condensing Temp. ℃
			制热量 Heating Capacity		输入功率 Input Power W	能效比 COP W/W		
			W	BTU				
V	H420D6VZAAC2	42.3	7740	26417	1820	4.25	≥-15	≤81
	H650D6VZAAC2	65.0	11890	40581	2815	4.22	≥-15	≤81

● 干衣机用 R134a FOR DRYER R134a

系列 Series	机种名 Model	排气量 Displacement (cc)	制冷量 Cooling Capacity		输入功率 Input Power W	能效比 COP W/W	测试条件 Test Condition	运行电容 Run Capacitor μF/V
			W	BTU/H				
直流变频 DC INVERTER 57.5Hz								
T	6TD058XA	5.9	795	2713	273	2.91	N-TEC	-
	6TD068XA	6.8	910	3105	331	2.75	N-TEC	-
	6TD075XB	7.5	995	3395	362	2.75	N-TEC	-
S	6SS080Z*	8.0	1075	3668	335	3.21	N-TEC	-
220-240V 50Hz								
T	6TD075ED	7.5	790	2695	290	2.72	N-TEC	10/400
S	6SS052E	5.2	570	1945	195	2.92	N-TEC	15/400
	6SS064E	6.4	705	2406	240	2.92	N-TEC	10/400
R	6RS086EA	8.6	990	3378	325	3.05	N-TEC	17/400
	6RS102EA	10.2	1190	4060	415	2.87	N-TEC	17/400
	6RS114EA	11.4	1290	4401	430	3.00	N-TEC	15/400
208-230V 60Hz								
T	6TD046HA	4.6	580	1979	230	2.52	N-TEC	7.5/400
S	H060C6SF	6.0	815	2782	285	2.86	N-TEC	10/370
	H072C6SF	7.2	980	3343	340	2.88	N-TEC	10/370
R	6RS114FA	11.4	1530	5220	505	3.03	N-TEC	15/400

● 新风系统 / 厨房空调用 R410A FRESH AIR PURIFIER/AIR-CONDITIONER FOR KITCHEN

系列 Series	机种名 Model	排气量 Displacement (cc)	制冷量 Cooling Capacity		输入功率 Input Power W	能效比 COP W/W	测试条件 Test Condition	运行电容 Run Capacitor μ F/V
			W	BTU/H				
立式直流变频 VERTICAL DC INVERTER 60Hz								
R	H160D5RZAA2	16.1	5015	17111	1515	3.31	N-TEC	-
	H220D5RZAA2	22.0	6880	23475	2160	3.19	N-TEC	-
卧式直流变频 HORIZONTAL DC INVERTER 57.5Hz								
W	5WL098ZAA21	9.8	2270	7745	700	3.24	N-TEC	-
R	5RL138ZAA21	13.8	3850	13136	1230	3.13	ARI	-
	5RL160ZAA21	16.1	4655	15883	1440	3.23	ARI	-
卧式定速 HORIZONTAL FIXED FREQUENCY 220/240V 50Hz								
R	5RL102EAA21	10.2	2390	8155	845	2.83	N-TEC	20/400
	C138U5REAAC2	13.8	3200	10918	1265	2.53	N-TEC	35/400

● 微型压缩机R134a MINISIZE COMPRESSOR R134a

系列 Series	机种名 Model	排气量 Displacement (cc)	制冷量 Cooling Capacity		输入功率 Input Power W	能效比 COP W/W	测试条件 Test Condition	备注 Note
			W	BTU/H				
DC48V 75Hz								
M	6MS014ZAA41	1.4	230	785	90	2.56	N-TEC	-
	6MS020ZAA41	2.0	345	1176	130	2.65	N-TEC	-
	6MD030ZAA41	3.0	480	1638	185	2.59	N-TEC	-
DC24V 75Hz								
M	6MS020ZBA41	2.0	345	1176	135	2.56	N-TEC	-
	6MD030ZBA41	3.0	480	1638	195	2.46	N-TEC	-
DC12V 75Hz								
M	6MS014ZCA41	1.4	230	785	100	2.30	N-TEC	-
	6MS020ZCA41	2.0	345	1176	140	2.46	N-TEC	-

● 基站用 R134a FOR BASE STATION R134a

系列 Series	机种名 Model	排气量 Displacement (cc)	制冷量 Cooling Capacity		输入功率 Input Power W	能效比 COP W/W	测试条件 Test Condition	运行电容 Run Capacitor μ F/V
			W	BTU/H				
变频 DC48V 60Hz								
T	6TS035ZAA41	3.5	470	1604	155	3.03	N-TEC	-
R	6RS092ZAA21	9.2	1340	4572	405	3.31	N-TEC	-
	6RS132ZAA21	13.2	1925	6568	575	3.35	N-TEC	-
	6RD198ZAA21	19.8	2860	9759	870	3.29	N-TEC	-
	6RD220ZAA21	22.0	3205	10939	950	3.37	N-TEC	-
K	6KD240ZAA21	24.0	3465	11823	1050	3.30	N-TEC	-
定速 Fixed Frequency 220-240V 50/60Hz								
T	6TS035AAA41	3.5	390/470	1331/1604	185/185	2.11/2.54	N-TEC	7.5/400
	6TD046AAA41	4.6	500/595	1707/2031	240/235	2.08/2.53	N-TEC	7.5/400
S	6SS064AAA21	6.4	720/870	2455/2967	305/355	2.36/2.45	N-TEC	20/400
R	6RS092AAA21	9.2	1055/1270	3597/4330	355/420	2.97/3.02	N-TEC	15/400
	6RS114AAA21	11.4	1270/1520	4333/5186	470/545	2.70/2.79	N-TEC	15/400
	6RS124AAA21	12.4	1415/1700	4828/5801	470/545	3.01/3.12	N-TEC	20/400
定速 Fixed Frequency 220-240V 50Hz								
T	6TD046EAA41	4.6	480	1638	205	2.34	N-TEC	10/400
S	6SS052EAA41	5.2	570	1949	240	2.38	N-TEC	15/400
	6SS064ECA41	6.4	705	2399	290	2.43	N-TEC	10/400
	6SS072EAA41	7.2	790	2696	340	2.32	N-TEC	15/400
R	6RS102ECB21	10.2	1195	4078	390	3.06	N-TEC	15/370
P	6PS174EAA21	17.4	1965	6687	645	3.05	N-TEC	30/370
K	6KS250EAA21	25.0	2865	9775	890	3.22	N-TEC	30/370

备注: T系列冷凝温度76°C; R、P、K系列冷凝温度81°C。
 Note: Condensing temp. of T series:76°C; Condensing temp. of R&P&K series: 81°C.

● 设备用压缩机 COMPRESSOR FOR EQUIPMENT

系列 Series	机种名 Model	排气量 Displacement (cc)	制冷量 Cooling Capacity		输入功率 Input Power W	能效比 COP W/W	测试条件 Test Condition	运行电容 Run Capacitor μF/V
			W	BTU/H				

R22

3PH 380V 50Hz								
P	2P11R385AUA	10.3	1695	5784	570	2.97	N-TEC	-
	2P14R385AUA	14.1	2340	7984	775	3.02	N-TEC	-
	2P17S385AUA	16.4	2800	9554	905	3.09	N-TEC	-
	2P20S385AUA	19.9	3385	11550	1090	3.11	N-TEC	-
K	2K22S385AUA	22.5	3845	13119	1275	3.02	N-TEC	-
	2K23S385AUA	23.5	4005	13665	1305	3.07	N-TEC	-
	2K28C385AUA	28.2	4665	15917	1585	2.94	N-TEC	-
V	2V43W385AZA	42.1	7335	25028	2215	3.31	N-TEC	-
	2V47W385AUA	47.2	8235	28099	2555	3.22	N-TEC	-
	2V49W385AUB	48.8	8495	28986	2635	3.22	N-TEC	-

环保冷媒定速&变频R1234yf/ze ENVIRONMENTAL REFRIGERANT R1234yf /ze

200V 50/60Hz								
T	1TS035KAA41	3.5	377	1286	175	2.15	N-TEC	5/370
	1TD068KAA41	6.8	710	2423	312	2.28	N-TEC	10/370
	1TD075KAA41	7.5	820	2798	334	2.46	N-TEC	17/300
R	1RS102KAA41	10.3	1210	4129	417	2.90	N-TEC	15/370
	1RS132KAA41	13.2	1530	5221	520	2.94	N-TEC	20/370

3PH 200V 50/60Hz								
P	1PS192MAA41	19.1	2130/2530	7268/8633	665/810	3.20/3.12	N-TEC	-
K	1KS280MAA41	28.0	3140/3765	10714/12847	1025/1255	3.06/3.00	N-TEC	-

220-240V 50Hz								
R	1RS102EAA41	10.3	1205	4111	430	2.80	N-TEC	20/400
	1RS132EAA41	13.2	1350	4606	520	2.60	N-TEC	15/460
P	1PS192EAA41	19.1	2160	7370	740	2.92	N-TEC	35/370
K	1KS280EAA41	28.0	3290	11225	1070	3.07	N-TEC	50/300

DC220V 60Hz								
T	1TD058XAA41	5.8	825	2815	272	3.03	N-TEC	-
	1TD075ZAA41	7.5	1040	3549	356	2.92	N-TEC	-
R	1RD132ZAA41	13.2	1945	6637	575	3.38	N-TEC	-

环保冷媒变频R454C ENVIRONMENTAL REFRIGERANT DC INVERTER R454C

DC220V/60Hz								
R	1RD138ZAA21	13.8	3030	10338	1020	2.97	N-TEC	-
	1RD220ZAA21	22.0	4830	16480	1650	2.93	N-TEC	-
	1RD330ZAA21	33.0	7250	24737	2410	3.01	N-TEC	-
V	1VD420ZAA21	42.3	9290	31697	3165	2.94	N-TEC	-
	1VD550ZAA21	55.1	12105	41302	4045	2.99	N-TEC	-
	1VD650ZAA21	65.0	14280	48723	4875	2.93	N-TEC	-

● 车载用压缩机 HORIZONTAL COMPRESSOR FOR VEHICLE

系列 Series	机种名 Model	排气量 Displacement (cc)	制冷量 Cooling Capacity		输入功率 Input Power W	能效比 COP W/W	测试条件 Test Condition	备注 Note
			W	BTU/H				

驻车空调 PARKING AIR-CONDITIONER 变频R134A

DC24V/DC48V 60Hz								
立式 VERTICAL								
R	C132C6RZAAC2	13.2	1920	6553	595	3.23	N-TEC	DC24V
卧式 HORIZONTAL								
R	C132L6RZAAC2	13.2	1880	6416	575	3.27	N-TEC	DC24V
	C160U6RZAAC2	16.1	2260	7707	705	3.21	N-TEC	DC24V
	C198U6RZAAC2	19.8	2795	9531	880	3.18	N-TEC	DC48V

大巴空调 BUS AIR-CONDITIONER 变频R410A

DC520V 57.5Hz								
立式/卧式 VERTICAL or HORIZONTAL								
R	C198D5RZAAC2	19.8	5780	19721	1850	3.12	ARI	立式低背
	C220U5RZAAC2	22.0	6420	21911	2045	3.14	ARI	卧式
V	5VL420ZAA21	42.4	12500	42625	3975	3.14	ARI	卧式
	C650U5VZAAC2	65.0	19950	68088	6400	3.12	ARI	卧式

卧式+喷气增焓 HORIZONTAL+EVI								
V	C420U5VZAAJ2	42.4	12490	42591	4055	3.08	ARI	卧式
	C650U5VZAAJ2	65.0	19150	65302	6260	3.06	ARI	卧式

房车空调 CAMPER AIR-CONDITIONER

卧式 HORIZONTAL								
定速 Fixed Frequency 220-240V 50Hz								
R	C138U4REAAC2	13.8	2175	7421	700	3.11	N-TEC	R407C
	C138U5REAAC2	13.8	3575	12198	1140	3.14	N-TEC	R32/R410A

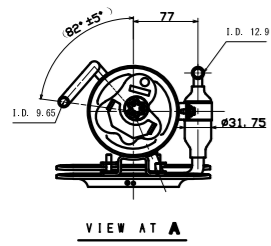
变频 DC INVERTER DC48V 60Hz								
R	C138U5RZAAC2	13.8	4230	14433	1325	3.19	N-TEC	R32/R410A/R407C
	C160U5RZAAC2	16.1	4835	16501	1595	3.03	N-TEC	R32/R410A/R407C

电池热管理&物流车变频R410A

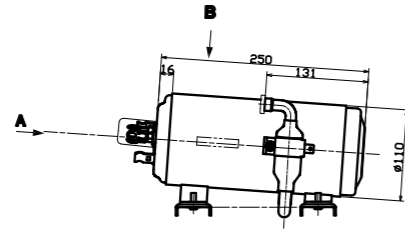
BATTERY THERMAL MANAGEMENT&LOGISTICS VEHICLE DCR410A								
立式/卧式 VERTICAL or HORIZONTAL								
R410A DC520V 57.5Hz								
R	C198D5RZAAC2	19.8	5780	19721	1850	3.12	ARI	立式低背
	C220U5RZAAC2	22.0	6420	21911	2045	3.14	ARI	卧式
V	5VL420ZAA21	42.4	12500	42625	3975	3.14	ARI	卧式

冷冻冷藏车 REFRIGERATED VEHICLES 变频R404A

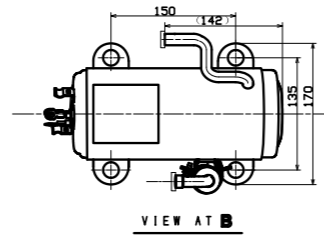
R404A DC520V 60Hz 立式/卧式 VERTICAL or HORIZONTAL L								
V	VDVL42Z	42.3	5450	18595	2650	2.06	P-MT	立式
	VDVL65Z	65.0	8350	28490	4070	2.05	P-MT	立式
	VDHL42Z	42.3	5450	18595	2790	1.95	P-MT	卧式
	VDHL65Z	65.0	8350	28490	4285	1.95	P-MT	卧式



侧视图Side View

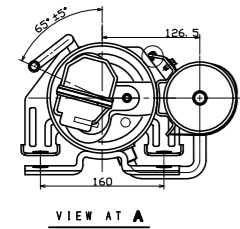


正视图Front View

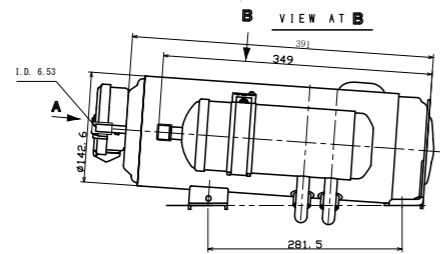


俯视图Top View

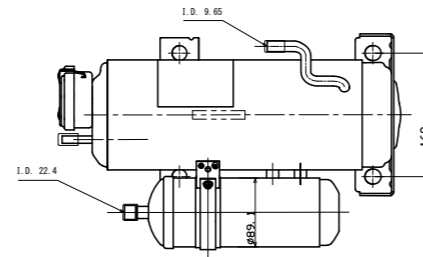
C160U6RZAAC2
车载压缩机外形尺寸
Vehicle compressor outline dimension



侧视图Side View

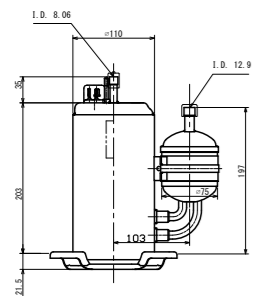


正视图Front View

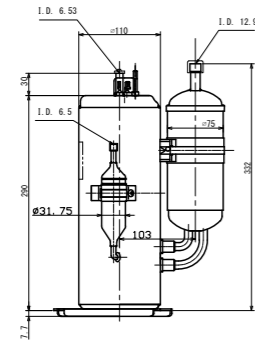


俯视图Top View

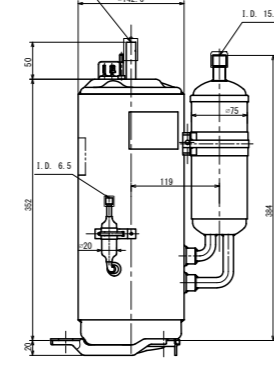
C650U5VZAAC2
车载压缩机外形尺寸
Vehicle compressor outline dimension



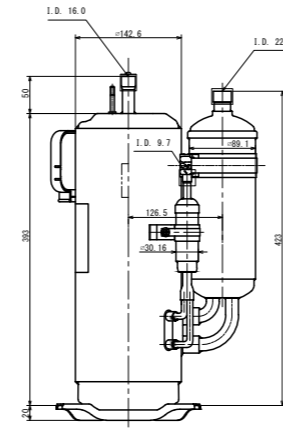
H160D5RZAAC2
热泵压缩机外形尺寸
Heat pump compressor outline dimension



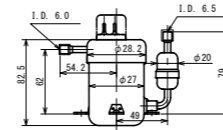
H138D5RZAAJ2
喷气增焓压缩机外形尺寸
EVI compressor outline dimension



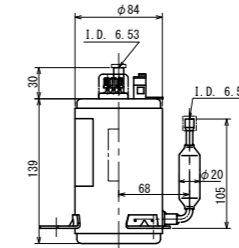
H420D5VZAAJ2
喷气增焓压缩机外形尺寸
EVI compressor outline dimension



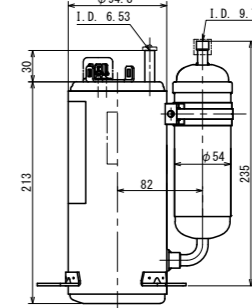
H650D5VZAAJ2
喷气增焓压缩机外形尺寸
EVI compressor outline dimension



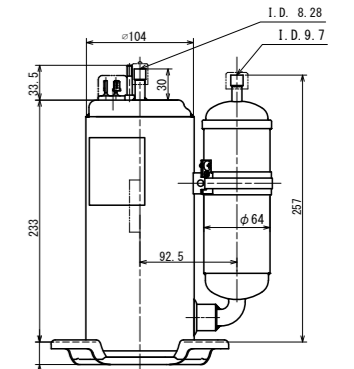
6MS020ZBC41
M系列外形尺寸
M series outline dimension



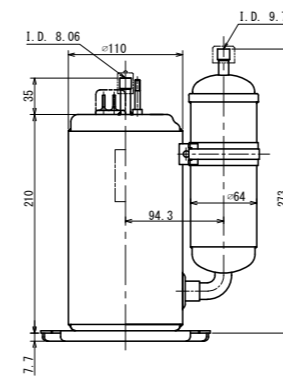
6TS035SEA41
T系列外形尺寸
T series outline dimension



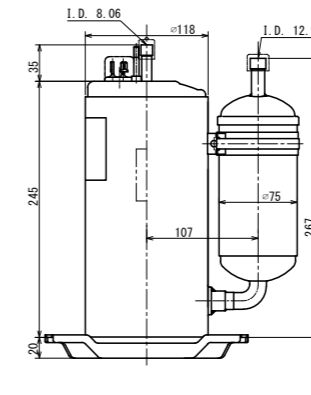
5SS072ZGA21
S系列外形尺寸
S series outline dimension



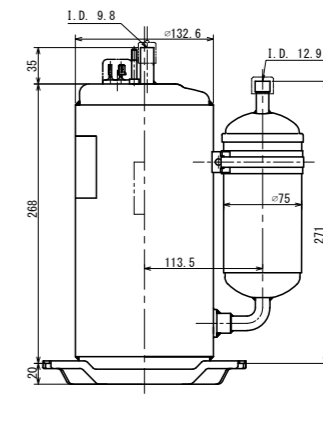
9WS098ZAA21
W系列外形尺寸
W series outline dimension



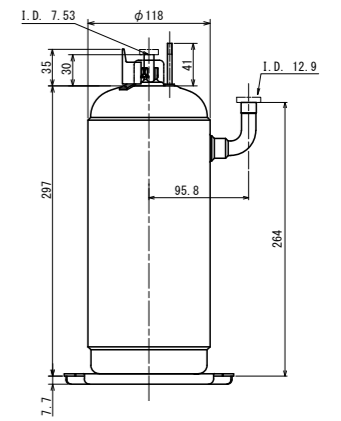
5RS102ZSA21
R系列外形尺寸
R series outline dimension



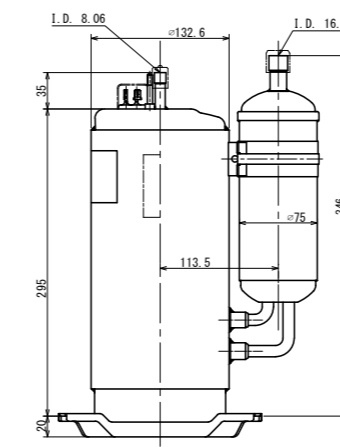
2P21T225AZB
P系列外形尺寸
P series outline dimension



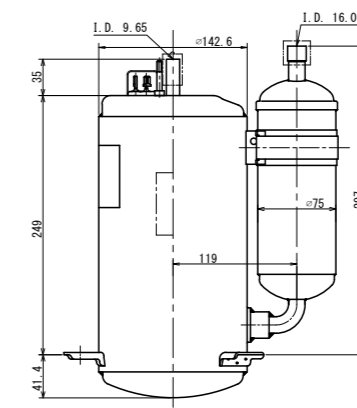
2K21S225DZA
K系列外形尺寸
K series outline dimension



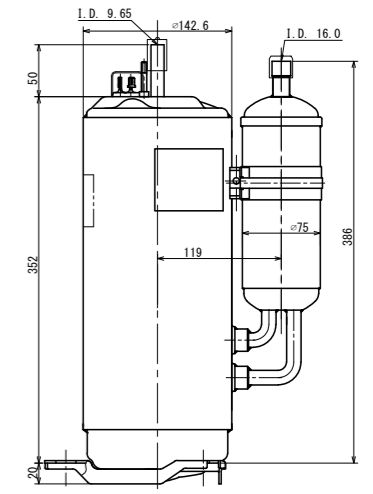
9CS142XCA21
涡旋系列外形尺寸
C series outline dimension



5KD240ZFA21
KDC系列外形尺寸
KDC series outline dimension



5KD240ZFA21
V系列外形尺寸
V series outline dimension



5VD420ZAA21
VDC系列外形尺寸
VDC series outline dimension

单位 (unit) : mm

试验工况 Test working/operating condition	
JIS条件 JIS Condition	
冷凝温度°C Condensing temp.(°C)	55.0
蒸发温度°C Evaporating temp.(°C)	7.0
吸气温度°C Suction temp.(°C)	18.0
过冷却温度°C Liquid temp.(°C)	55.0
恒温箱温度°C Thermostat temp.(°C)	35.0

试验工况 Test working/operating condition	
N-TEC条件 N-TEC Condition	
冷凝温度°C Condensing temp.(°C)	54.4
蒸发温度°C Evaporating temp.(°C)	7.2
吸气温度°C Suction temp.(°C)	35.0
过冷却温度°C Liquid temp.(°C)	46.1
恒温箱温度°C Thermostat temp.(°C)	35.0

试验工况 Test working/operating condition	
ARI条件 ARI conditon	
冷凝温度°C Condensing temp.(°C)	54.4
蒸发温度°C Evaporating temp.(°C)	7.2
吸气温度°C Suction temp.(°C)	18.3
过冷却温度°C Liquid temp.(°C)	46.1
恒温箱温度°C Thermostat temp.(°C)	35.0

试验工况 Test working/operating condition	
P-RAC条件 P-RAC conditon	
冷凝温度°C Condensing temp.(°C)	47.4
蒸发温度°C Evaporating temp.(°C)	6.2
吸气温度°C Suction temp.(°C)	13.2
过冷却温度°C Liquid temp.(°C)	37.3
恒温箱温度°C Thermostat temp.(°C)	35.0

试验工况 Test working/operating condition	
Fc条件 Fc conditon	
冷凝温度°C Condensing temp.(°C)	43.8
蒸发温度°C Evaporating temp.(°C)	16.3
吸气温度°C Suction temp.(°C)	26.3
过冷却温度°C Liquid temp.(°C)	43.8
恒温箱温度°C Thermostat temp.(°C)	35.0

试验工况 Test working/operating condition	
Fh条件 Fh conditon	
冷凝温度°C Condensing temp.(°C)	32.4
蒸发温度°C Evaporating temp.(°C)	1.5
吸气温度°C Suction temp.(°C)	11.5
过冷却温度°C Liquid temp.(°C)	32.4
恒温箱温度°C Thermostat temp.(°C)	35.0


热泵型机种 HPWH Model		
测试电源 Test Power Source	定速机种 Fixed Frequency	请参考机种详细列表 Please Refer To The Model List Before
	变频机种 DC Inverter	DC 280V / 57.5Hz
测试条件 Test Condition		N-TEC N-TEC Condition
蒸发温度 Evaporating Temp.		7.2
冷凝温度 Condensing Temp.		54.4
吸气温度 Suction Temp.		35.0
过冷液温度 Liquid Temp.		46.1
过热度 Super Heat Temp.		27.8
过冷度 Super Cooling Temp.		8.3
环境温度 Ambient Temp.		35.0

泳池热泵热水器机种 Swimming Pool Heat Pump Model		
测试电源 Test Power Source	定速机种 Fixed Frequency	请参考机种详细列表 Please Refer To The Model List Before
	测试条件 Test Condition	
蒸发温度 Evaporating Temp.		7.0
冷凝温度 Condensing Temp.		55.0
吸气温度 Suction Temp.		15.0
过冷液温度 Liquid Temp.		55.0
过热度 Super Heat Temp.		8.0
过冷度 Super Cooling Temp.		0
环境温度 Ambient Temp.		35.0

R744(CO ₂)热泵型机种 R744(CO ₂) HPWH Model		
测试条件 Test Condition	单位 Unit	CO ₂ Condition
吸入压力 Suction Pressure	MPa	4.0
排气压力 Discharge Pressure	MPa	10.0
吸气温度 Suction Temp.	°C	18.0
过冷液温度 Liquid Temp.	°C	41.0
环境温度 Ambient Temp.	°C	35.0

冷藏机型(P-MT)Refrigerated vehicles model		
测试电源 Test Power Source	变频机种 DC Inverter	DC 280V / 57.5Hz
	P-MT	
蒸发温度 Evaporating Temp.		-6.7
冷凝温度 Condensing Temp.		54.4
吸气温度 Suction Temp.		35.0
过冷液温度 Liquid Temp.		46.1
环境温度 Ambient Temp.		35.0

压缩机标准附件 STANDARD ACCESSORIES OF COMPRESSOR

				
接线柱胶盖 Terminal Cover	端盖垫 Terminal Cover Gasket	螺母 Nut Terminal Cover	螺母垫 Nut Gasket	过载保护器 Overload Protector
				
减震胶脚 Rubber Grommet	螺杆套管 Cap Stud Pin	弹簧 Spring For OLP	接线盒&接线盒胶盖 Terminal Box&Cover	接线块 Connector Block
				
接线螺栓 Screw	支夹 Retainer	导线孔胶塞 Eyelet Rub Lead Wire	一体化端子盖&线	一体化端子盖&线 Integrated Terminal Cover&Wire